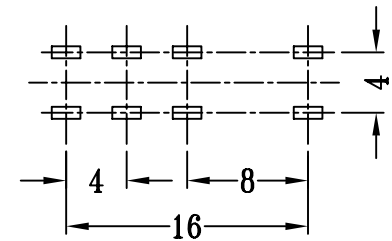
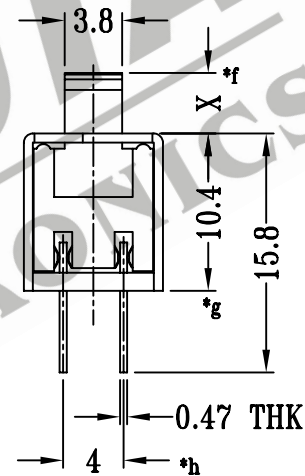
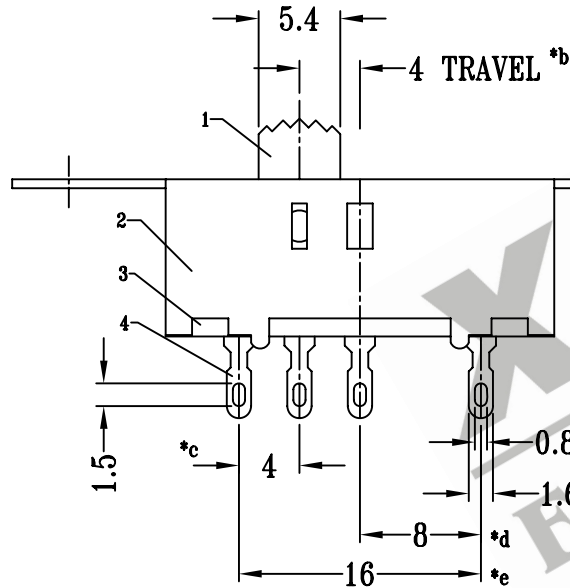
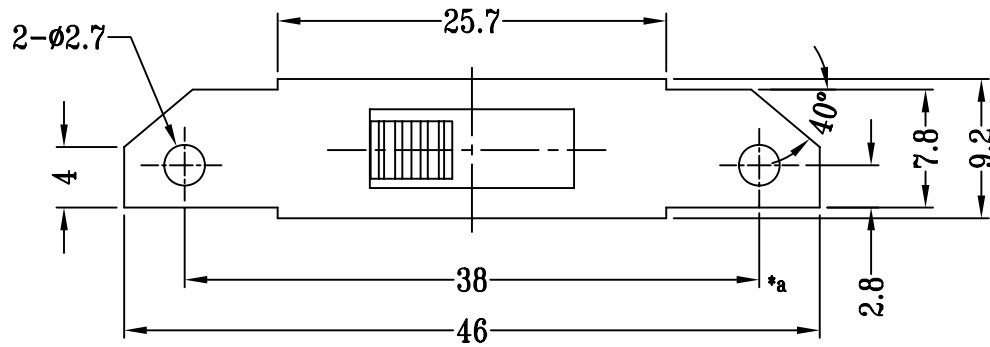
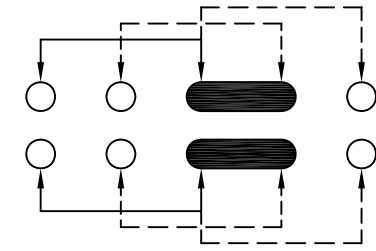


CAD FILE:



P.C.B LAYOUT



SCHEMATIC (SHORTING)

注:带"*"表示关键尺寸(8个)

8					TOLERANCE UNLESS SPECIFIED	SHENZHEN XIEJIA ELECTRONICS CO.,LTD.				
7	CONTACT CLIP	PBS STRIP	2	Ag PLATED	WITHIN: 1.5±0.1mm OVER : 1.5±0.2mm	ISSUE	DATE	DESCRIPTIONS OF REVISION		APPD
6	STEEL BALL	STEEL	2	NATURAL		TITLE: VERTICAL SLIDE SWITCH	UNIT : mm	DRWG NO.: XJ-DR-SS23H12-00		
5	SPRING	STEEL WIRE	1	TEMPER		MODEL: SS-23H12	SCALE: 2:1	DWN	ZHOUYU	2002-6-5
4	TERMINAL	BRASS STRIP	8	Ag PLATED OVER Ni PLATED	ALL MATERIALS MUST BE COMPLIANT TO ROHS	APPD		FANGYING	2002-6-5	
3	BASE	PHENOLIC RESIN	1	BLACK		APPD		KANGXINAN	2002-6-5	
2	FRAME	STEEL STRIP	1	BLACK		APPD		KANGXINAN	2002-6-5	
1	KNOB	POM	1	BLACK	APPD		KANGXINAN	2002-6-5		
NO.	PARTS	MATERIALS	Q'TY	FINISH						